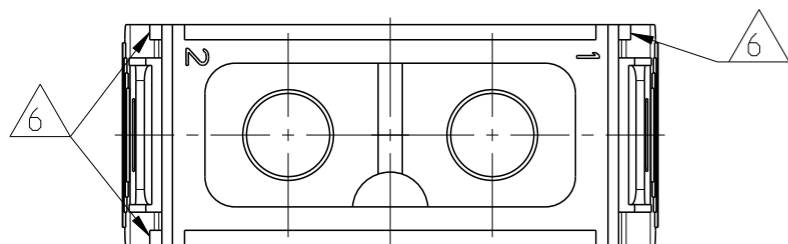


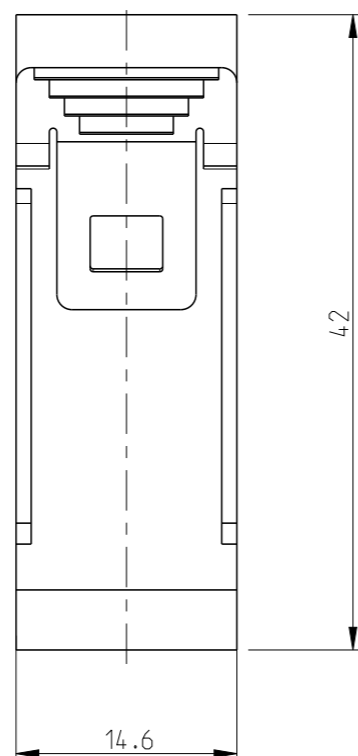
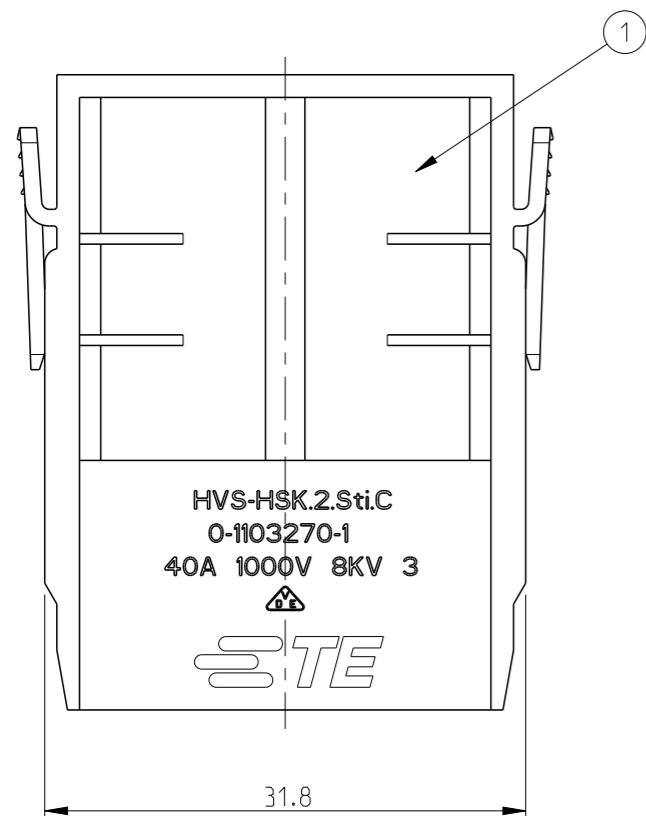
LOC	DIST	REVISIONS			
P	LTR	DESCRIPTION	DATE	DWN	APVD
	D	ECR-15-007468	09JUN2015	GSK	JB

PN 0-1 As Shown Contact arrangement view from connecting side

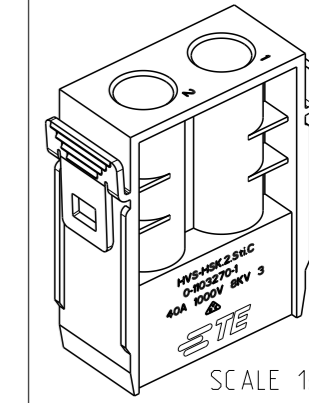


NOTES

- 1 SUITABLE CRIMP CONTACTS: SERIES HSK
CUSTOMER DRAWING: 1108757
OUTER DIMENSIONS OF INSULATION: MAX. Ø8mm
- 2 SUITABLE MODULE FIXING FRAME: SERIES HVS SIZE 3 TO 8
CUSTOMER DRAWING: 1103250
- 3 SUITABLE INSERTION TOOL:
CUSTOMER DRAWING: 1102855
- 4 SUITABLE EXTRACTION TOOL:
CUSTOMER DRAWING: 1102855
- 5 STANDARDS:
DIN EN 61984; DIN EN 60664-1
- 6 POLARIZATION RIPS
- 7 MARKING OF POLARIZATION ACCORDING TO MARKING OF MODULE FRAME
- 8 PACKAGING:
10 PIECES IN A CARTON

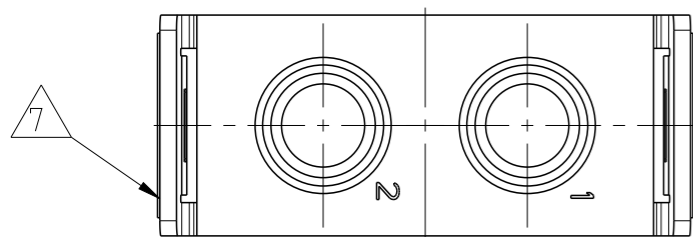


PN 0-1 As Shown



SCALE 1:1

Contact arrangement view from termination side



QTY	DESCRIPTION	MATERIAL	COLOR	ITEM NO
1	MALE INSERT	PBT-GF10	LIGHT GREY	1

PN 0-1 / HVS-HSK.2.Sti.C

THIS DRAWING IS A CONTROLLED DOCUMENT.		DWN	20.02.2006		STE TE Connectivity
DIMENSIONS: mm		CHK	20.02.2006		
TOLERANCES UNLESS OTHERWISE SPECIFIED: ISO 8075 DIN 152 2768 mh-E DIN 16901-120		APVD	20.02.2006		
0 PLC ± 1 PLC ± 2 PLC ± 3 PLC ± 4 PLC ± ANGLES ±		PRODUCT SPEC	108-74081		
MATERIAL		FINISH	114-74083		NAME
8		9	CUSTOMER DRAWING		MALE INSERT HVS-HSK.2.STI.C
		WEIGHT	A3 00779		SIZE
			C=1103270		CAGE CODE
			SCALE 2:1		DRAWING NO
			SHEET 1 OF 1		RESTRICTED TO
			REV D		